



LUMAWISE | LUMAWISE LED Holders

TE Internal #: 3-2154874-2

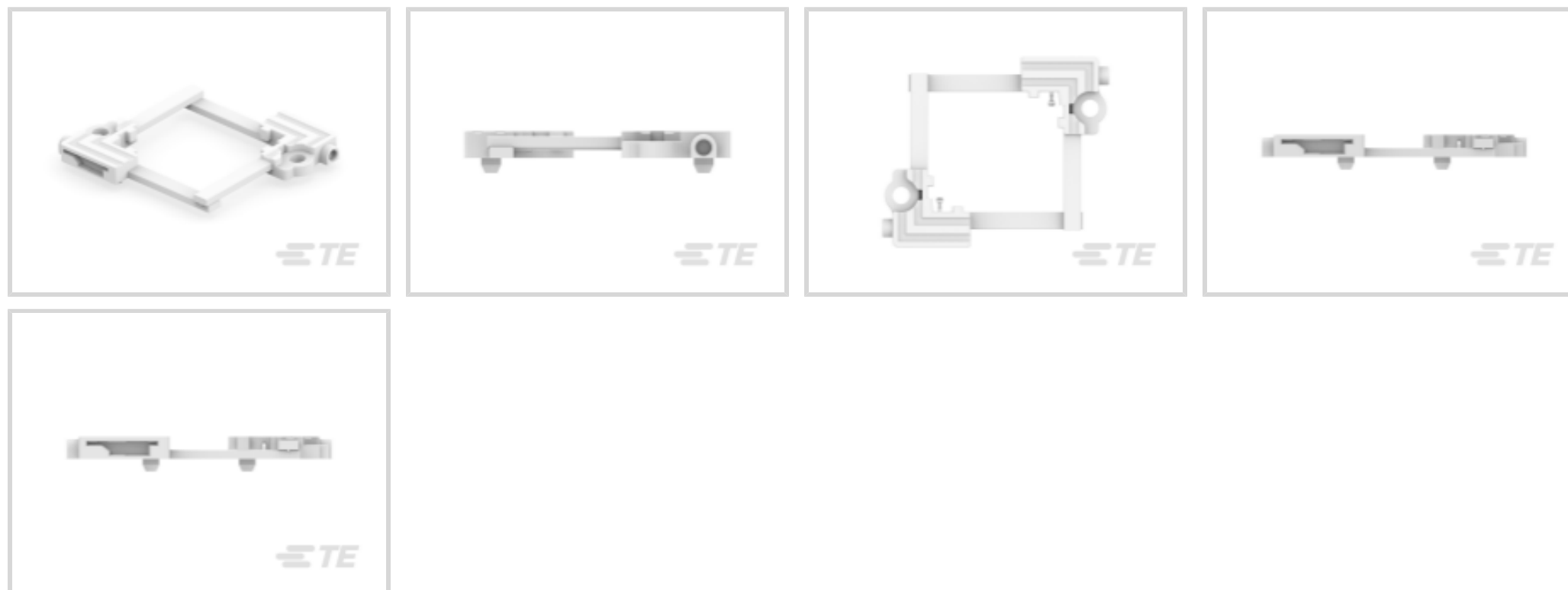
LED Holders, Bridgelux ES Rectangle Array, Not Optic Compatible

/ Does Not Enable Zhaga Compatibility, 250 VDC, Poke-In,

LUMAWISE LED Holders

[View on TE.com >](#)

Connectors > Lighting Connectors > LED Holders



Compatible LED: **Bridgelux ES Rectangle Array**

Lighting Connector Features Included: **Does Not Enable Zhaga Compatibility, Not Optic Compatible**

Operating Voltage: **250 VDC**

Termination Method to Wire & Cable: **Poke-In**

Connector System: **Wire-to-Component**

**Features**

**Product Type Features**

Product Type	LED Holder
Connector System	Wire-to-Component
Sealable	No
Connector & Contact Terminates To	Wire & Cable

**Configuration Features**

Lighting Connector Features Included	Does Not Enable Zhaga Compatibility, Not Optic Compatible
Number of Positions	2

**Electrical Characteristics**

Current Rating (Max)	3 A
Operating Voltage	250 VDC

**Body Features**

Compatible LED	Bridgelux ES Rectangle Array
----------------	------------------------------

**Contact Features**



Contact Mating Area Plating Material	Tin
Contact Base Material	Copper Alloy
Contact Current Rating (Max)	3 A

#### Termination Features

Termination Method to Wire & Cable	Poke-In
------------------------------------	---------

#### Housing Features

Housing Material	PBT GF
------------------	--------

#### Usage Conditions

Operating Temperature Range	-40 – 105 °C[-40 – 105 °F]
-----------------------------	----------------------------

#### Operation/Application

Circuit Application	Power
---------------------	-------

### Product Compliance

[For compliance documentation, visit the product page on TE.com>](#)

EU RoHS Directive 2011/65/EU	Compliant
EU ELV Directive 2000/53/EC	Compliant
China RoHS 2 Directive MIIT Order No 32, 2016	No Restricted Materials Above Threshold
EU REACH Regulation (EC) No. 1907/2006	Current ECHA Candidate List: JUNE 2022 (224) Candidate List Declared Against: JAN 2021 (211) Does not contain REACH SVHC
Halogen Content	Low Halogen - Br, Cl, F, I < 900 ppm per homogenous material. Also BFR/CFR/PVC Free
Solder Process Capability	Not applicable for solder process capability

#### Product Compliance Disclaimer

This information is provided based on reasonable inquiry of our suppliers and represents our current actual knowledge based on the information they provided. This information is subject to change. The part numbers that TE has identified as EU RoHS compliant have a maximum concentration of 0.1% by weight in homogenous materials for lead, hexavalent chromium, mercury, PBB, PBDE, DBP, BBP, DEHP, DIBP, and 0.01% for cadmium, or qualify for an exemption to these limits as defined in the Annexes of Directive 2011/65/EU (RoHS2). Finished electrical and electronic equipment products will be CE marked as required by Directive 2011/65/EU. Components may not be CE marked. Additionally, the part numbers that TE has identified as EU ELV compliant have a maximum concentration of 0.1% by weight in homogenous materials for lead, hexavalent chromium, and mercury, and 0.01% for cadmium, or qualify for an exemption to these limits as defined in the Annexes of Directive 2000/53/EC (ELV). Regarding the REACH Regulation, the information TE provides on SVHC in articles for this part number is based on the latest European Chemicals Agency (ECHA) 'Guidance on requirements for substances in articles' posted at this URL: <https://echa.europa.eu/guidance-documents/guidance-on-reach>



## Compatible Parts



TE Part # 8-2834006-2  
2P MRPK CONN\_BK/WE




TE Part # 2324697-2  
PUSH GRIP CONNECTOR 2P



TE Part # 2-2834245-1  
2P, FLEX GRIP WIRE CONNECTOR

## Also in the Series | LUMAWISE LED Holders



[LED Holders\(79\)](#)

## Documents

### Product Drawings

[Socket, SCALABLE LED, 1PC, BRDGLUX ES](#)

English

### CAD Files

[3D PDF](#)

[3D](#)

[Customer View Model](#)

[ENG\\_CVM\\_CVM\\_3-2154874-2\\_A.2d\\_dxf.zip](#)

English

[Customer View Model](#)

[ENG\\_CVM\\_CVM\\_3-2154874-2\\_A.3d\\_igs.zip](#)

English

[Customer View Model](#)

[ENG\\_CVM\\_CVM\\_3-2154874-2\\_A.3d\\_stp.zip](#)

English

By downloading the CAD file I accept and agree to the [Terms and Conditions](#) of use.

### Product Specifications

[Application Specification](#)

English